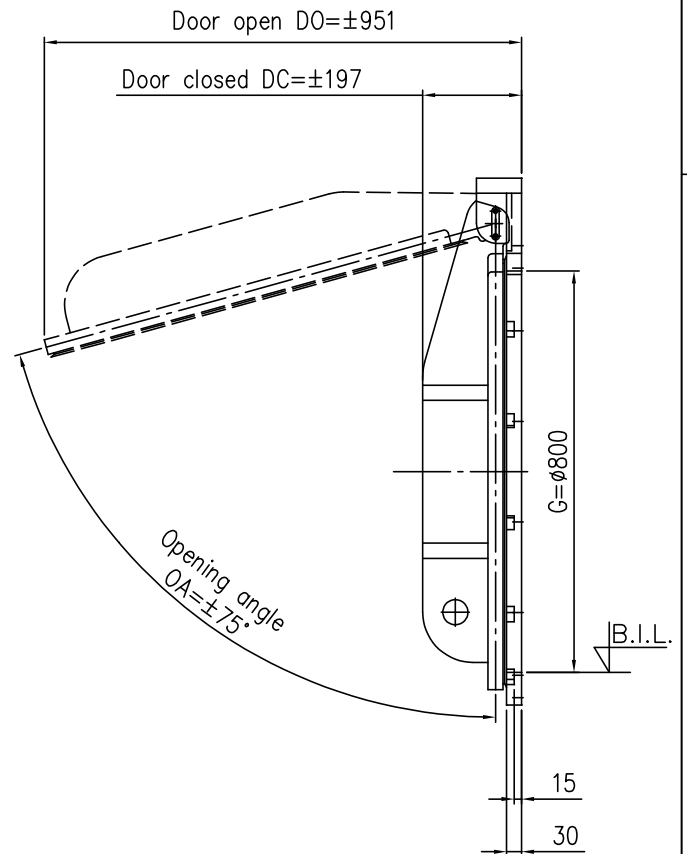
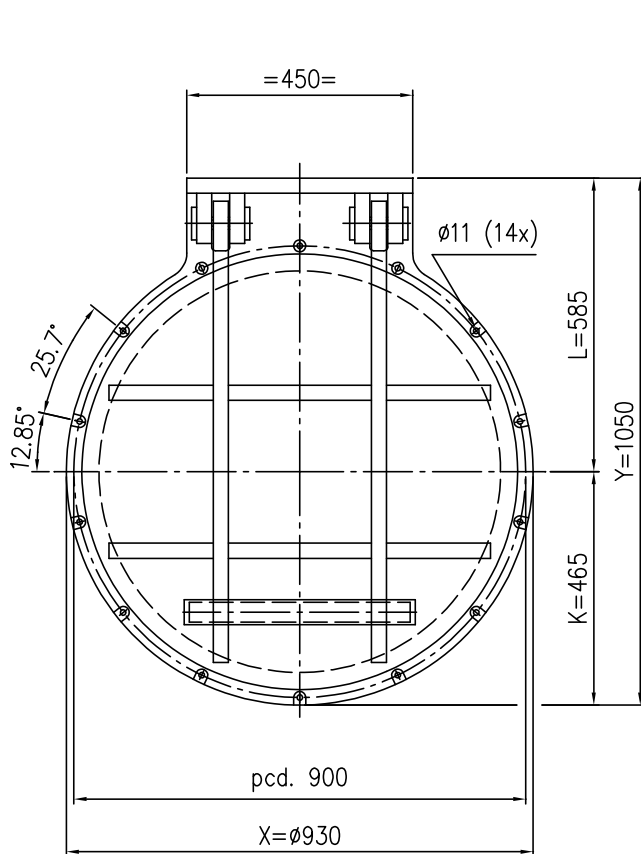
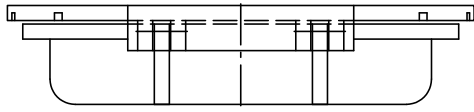


DRAFT DRAWING  
32" / 800mm HDPE Flap Valve

**WESTATLANTIC** Tech Corp.  
www.westatlantictech.com / www.flapvalvehdpe.com  
sales@westatlantictech.com +902 455 4455



MAX. LOAD from Bottom Invert Level (B.I.L.):  
1.8 MWC long period (50 years)  
5 MWC short period (72 hours)  
NUMBER OF CHEMICAL ANCHORS M8: 14 pcs

Rev. code	Revision	Drawn	Date	Appr.
Material	HDPE			
		Drawn: HC	Appr:	Date: 14-01-2004
		Scale: 1:10	Units [mm] ±	Dept: doc
				Sheet: 1/1